

PRODUCT INFORMATION PACKET

Model No: 056B17DRR70022A1

Catalog No: C186A

1.50 HP General Purpose Motor, 1 phase, 1800 RPM, 115/208-230 V, 56H Frame, ODP
Single Phase ODP Motors





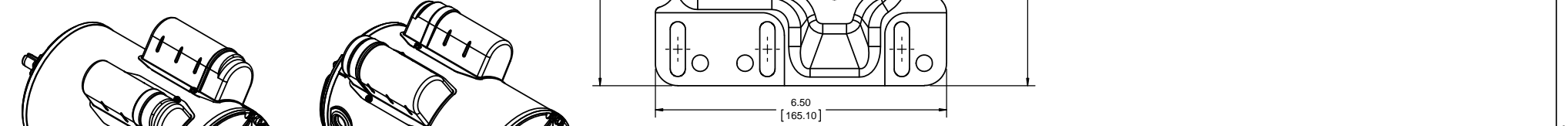
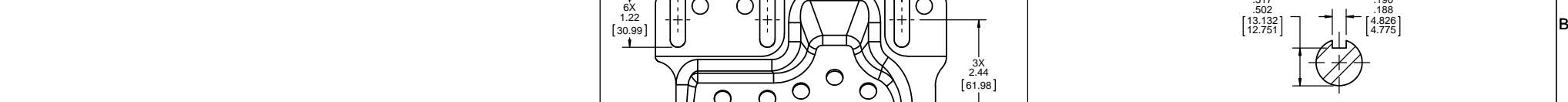
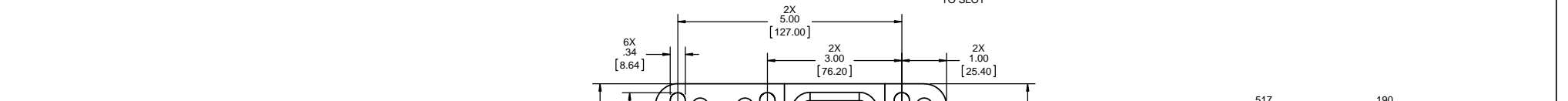
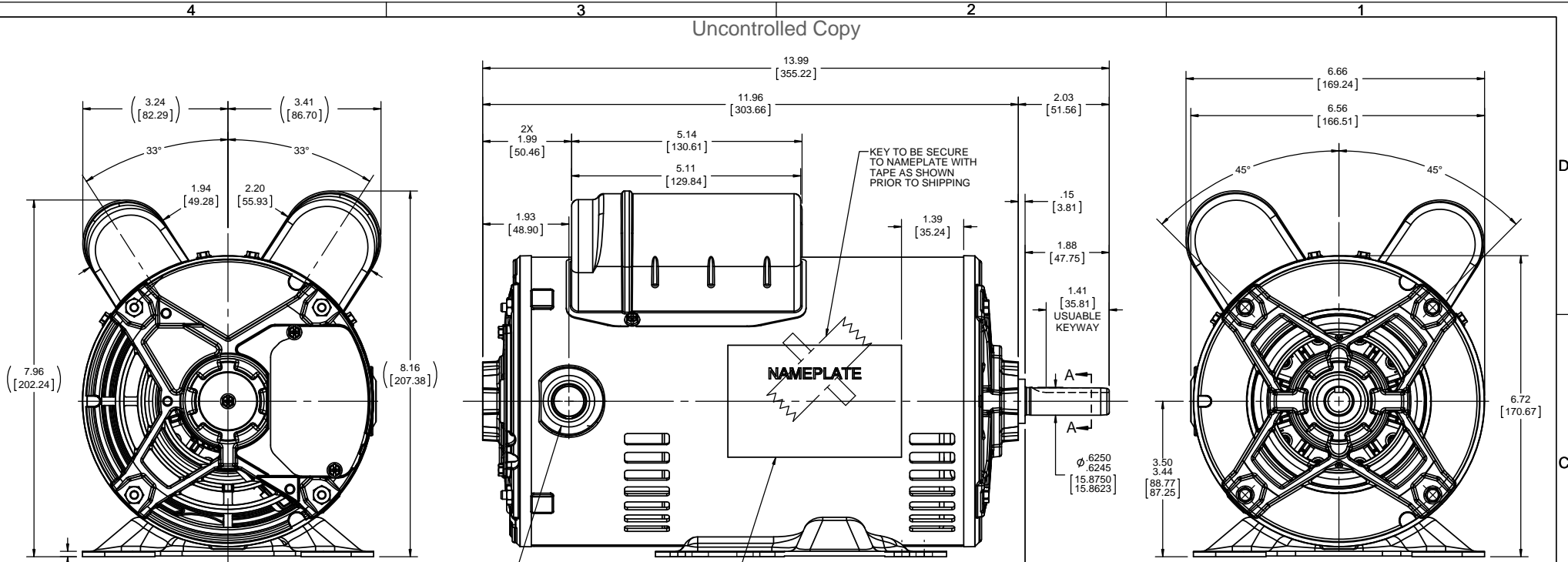
Nameplate Specifications

Output HP	1.50 Hp	Output KW	1.1 kW
Frequency	60 Hz	Voltage	115/208-230 V
Current	12.6/6.4-6.3 A	Speed	1725 rpm
Service Factor	1.15	Phase	1
Efficiency	83.8 %	Power Factor	96
Duty	Continuous	Insulation Class	B
Design Code	L	KVA Code	J
Frame	56H	Enclosure	Drip Proof
Thermal Protection	Automatic	Ambient Temperature	40 °C
Drive End Bearing Size	6205	Opp Drive End Bearing Size	6203
UL	Recognized	CSA	Y
CE	Y	IP Code	22

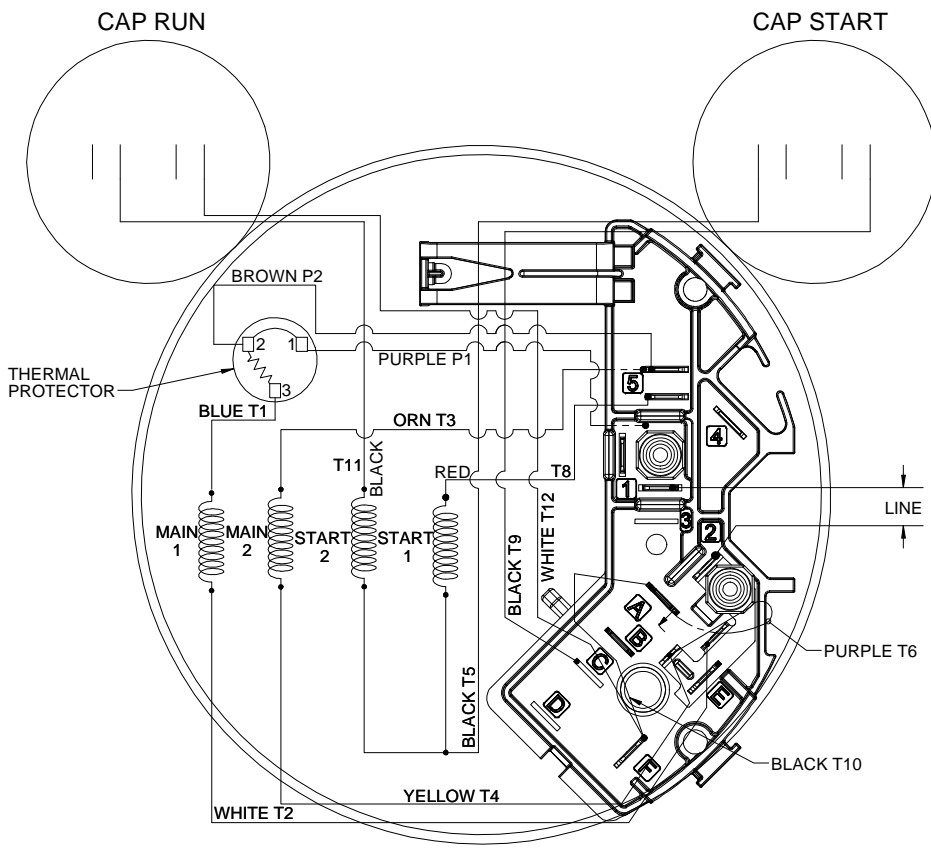
Technical Specifications

Electrical Type	Capacitor Start Capacitor Run	Starting Method	Across The Line
Poles	4	Rotation	Selective Counterclockwise
Resistance Main	1.4 Ohms	Mounting	Rigid Base
Motor Orientation	Horizontal	Drive End Bearing	Ball
Opp Drive End Bearing	Ball	Frame Material	Rolled Steel
Shaft Type	NEMA 56	Overall Length	13.99 in
Shaft Diameter	0.625 in	Shaft Extension	1.88 in
Assembly/Box Mounting	F1 ONLY		
Connection Drawing	CDBD124	Outline Drawing	OL56100226-001

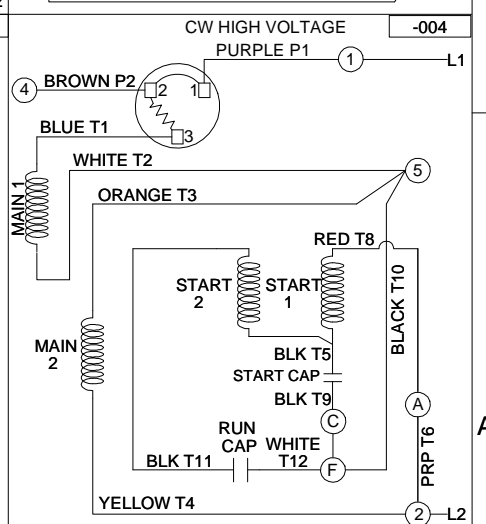
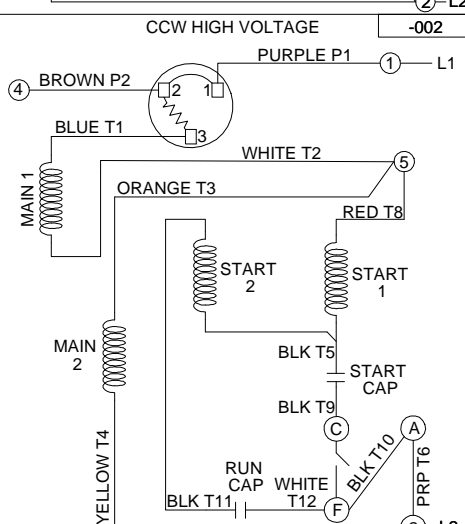
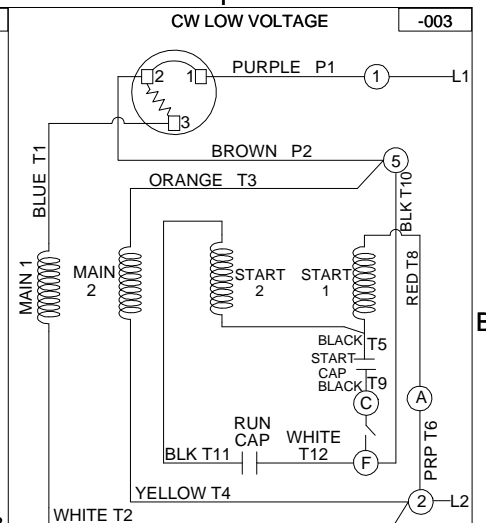
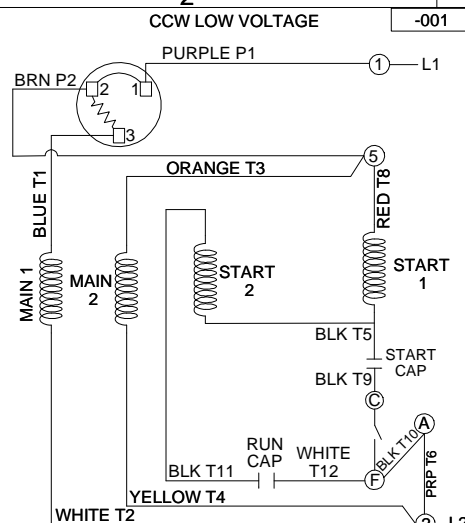
This is an uncontrolled document once printed or downloaded and is subject to change without notice. Date Created:14/10/2020



DRAWING REVISION A	REVISION BY D. VALENCIANO	DATE 12-16-2016	TOLERANCES UNLESS OTHERWISE SPECIFIED: DEC. INCH mm ANGLE X ±0.1 [±2.5] 0.5° XX ±0.02 [±0.51] XXX ±0.005 [±0.127] .XXXX ±0.0005 [±0.0127] MACHINED SURFACES: 1/25 √ mm 3/2 INCH √ mm	DRAWN BY D. VALENCIANO	Regal Beloit America, Inc.
ECO ECO-0114805	APPROVED BY	DATE	DATE 12-16-2016	APPROVED BY	
NEW MODEL RELEASE			REMOVE BURRS & BREAK SHARP EDGES: .0031 [0.076381] X 45° CORNER FILLETS: R.02 [51]	DATE 12-16-2016	DESCRIPTION 56FR,ODP,1-PHASE,RIGID
<small>COPYRIGHT REGAL BELOIT AMERICA, INC. ALL RIGHTS RESERVED. PROPRIETARY AND CONFIDENTIAL INFORMATION - THIS DOCUMENT IS THE PROPERTY OF REGAL BELOIT AMERICA, INC. FORMER AND CONTAINS OWNERS PROPRIETARY INFORMATION. ANY PERSON, CORPORATION OR OTHER FIRM RECEIVING IT IS DEEMED, BY RECEIVING IT, TO AGREE THAT IT, AND/OR ANY PART OF IT, SHALL NOT BE DISCLOSED TO ANY PERSON, CORPORATION OR OTHER ENTITY, DUPLICATED, AND/OR USED, EXCEPT AS EXPRESSLY APPROVED IN WRITING IN ADVANCE BY OWNER. THIS DOCUMENT SHALL BE RETURNED TO OWNER UPON REQUEST. IT MAY BE SUBJECT TO CERTAIN RESTRICTIONS UNDER APPLICABLE EXPORT CONTROL LAWS AND REGULATIONS.</small>			REFERENCE	MATERIAL	PROCESS FINISH
			THIRD ANGLE PROJECTION	SIZE C	DRAWING NUMBER OL56100226-001
					SHEET 1 OF 1



CCW/CW ROTATION-CAP START AND CAP RUN DUAL VOLTAGE WITH PROTECTOR



- NOTES:**
- FOR HI VOLTAGE REMOVE BROWN P2 FROM TERMINAL #5 AND PLACE ON TERMINAL #4, REMOVE WHITE T2 FROM TERMINAL #2 AND PLACE ON TERMINAL #5
 - TO REVERSE ROTATION, INTERCHANGE RED T8 & BLACK T10.
 - SWITCH REF. 10003283-001-001
 - CONN DIAGRAM-NAMEPLATE DD10114-001

DRAWING REVISION E	REVISION BY J.CORTEZ	DATE 12-07-2018
ECO ECO-0158061	APPROVED BY J.CORTEZ	DATE 12-07-2018
ECO DESCRIPTION UPDATED, SEE ECO		
<small>COPYRIGHT REGAL BELOIT AMERICA, INC. ALL RIGHTS RESERVED. PROPRIETARY AND CONFIDENTIAL INFORMATION - THIS DOCUMENT IS THE PROPERTY OF REGAL BELOIT AMERICA, INC. ("OWNER") AND CONTAINS OWNER'S PROPRIETARY INFORMATION. ANY PERSON, CORPORATION OR OTHER FIRM RECEIVING IT IS DEEMED, BY RECEIVING IT, TO AGREE THAT IT, AND/OR ANY PART OF IT, SHALL NOT BE DISCLOSED TO ANY PERSON, CORPORATION OR OTHER ENTITY, DUPLICATED, AND/OR USED, EXCEPT AS EXPRESSLY APPROVED IN WRITING IN ADVANCE BY OWNER. THIS DOCUMENT SHALL BE RETURNED TO OWNER UPON REQUEST. IT MAY BE SUBJECT TO CERTAIN RESTRICTIONS UNDER APPLICABLE EXPORT CONTROL LAWS AND REGULATIONS.</small>		

TOLERANCES UNLESS OTHERWISE SPECIFIED:

DEC.	INCH	mm	ANGLE
.X	±0.1	[+2.5]	±0.5°
.XX	±0.01	[+0.25]	
.XXX	±0.005	[+0.127]	
.XXXX	±0.0005	[+0.0127]	

REMOVE BURRS & BREAK SHARP EDGES: .003/.015 [.076/.381] CORNER FILLETS: .02 [.51] MACHINED SURFACES: 125/3.2 INCH/mm

DRAWN BY G. RODRIGUEZ	DATE 06-08-2018
APPROVED BY EVERTS MARTINEZ	DATE 06-08-2018
REFERENCE	
THIRD ANGLE PROJECTION	

Regal Beloit America, Inc.	
DESCRIPTION CONN DIAGRAM-EXTERNAL	
MATERIAL	PROCESS/FINISH
SIZE B	DRAWING NUMBER CDBD124
	SHEET 1 OF 1



MARATHON ELECTRIC CORPORATION
TYPICAL PERFORMANCE CURVE for AC MOTOR

Customer

Curve at

230 Volts
60 HZ
1.5 HP

HP 1.50

PHASE 1

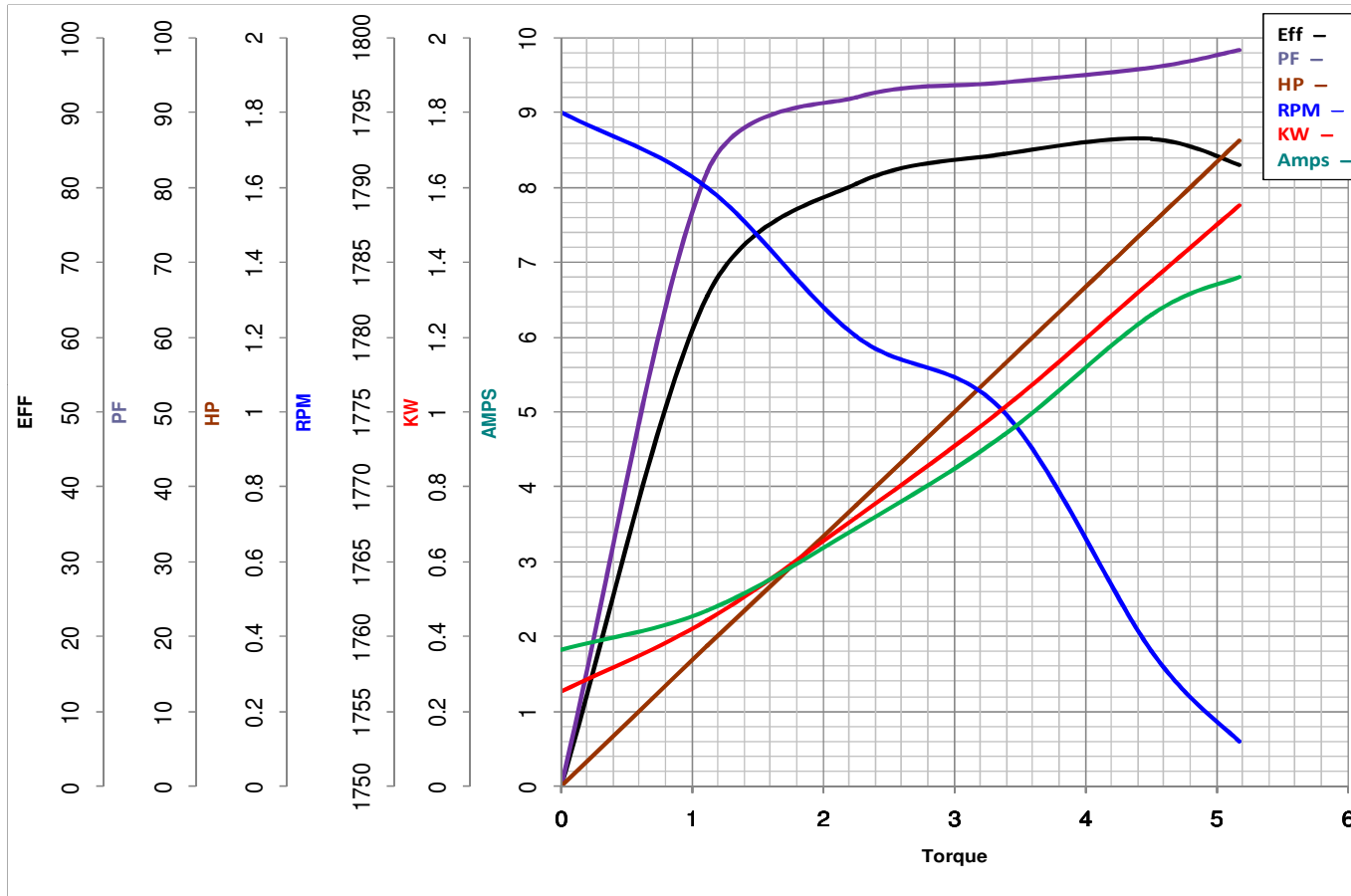
Model No 56B17DRR70022A1

VOLTS 115/208-230

Catalog No C186A

HZ 60

RPM 1725



Torque in Lb.Ft

FL TORQUE 4.5 Lb.Ft
BD TORQUE 9.9 Lb.Ft
LR TORQUE 10.77 Lb.Ft

FL AMPS 12.6/6.4-6.3
PU TORQUE 8.2 Lb.Ft
LR AMPS 45.78

WINDING NB56473-3

Date 1/10/2019